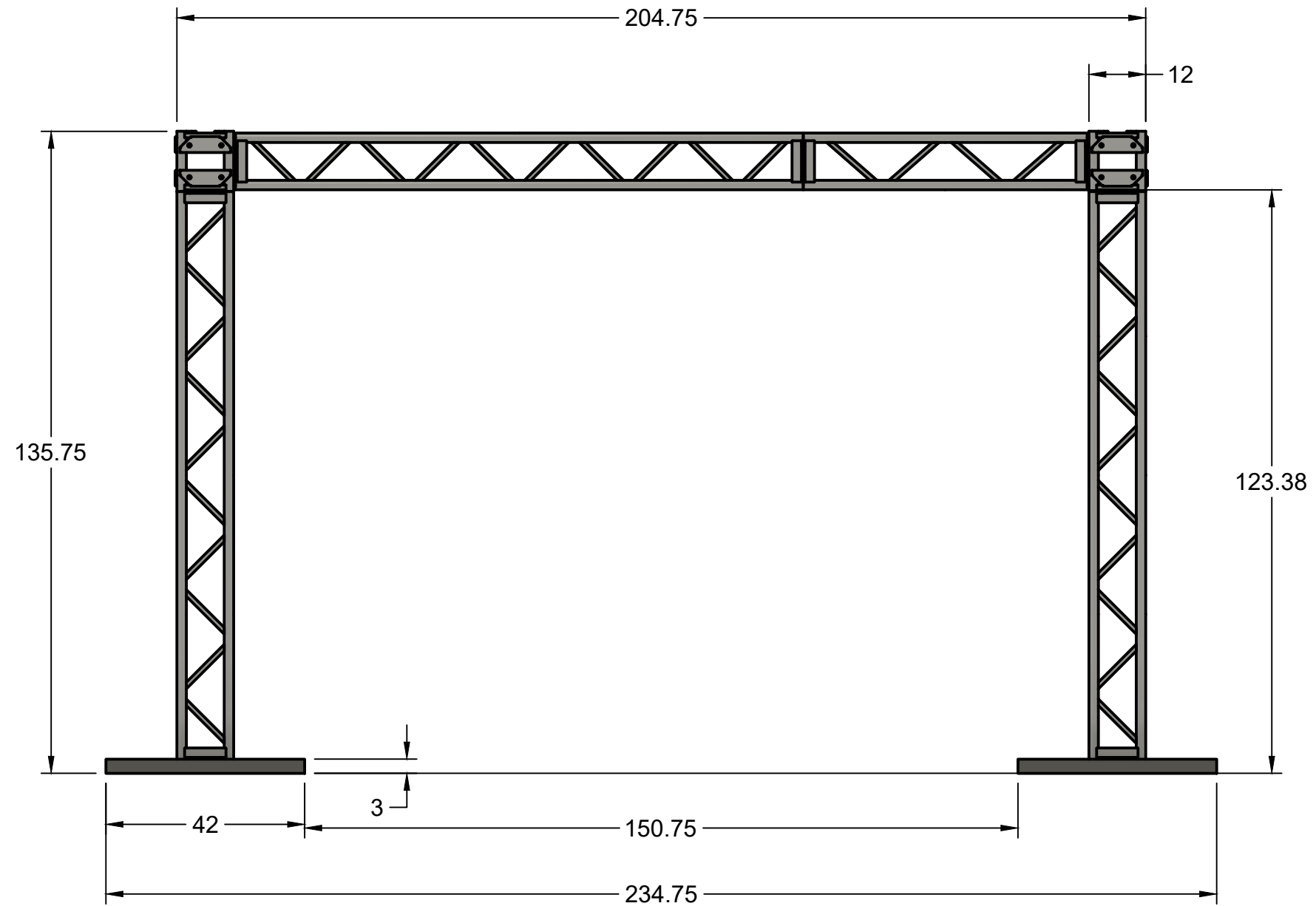


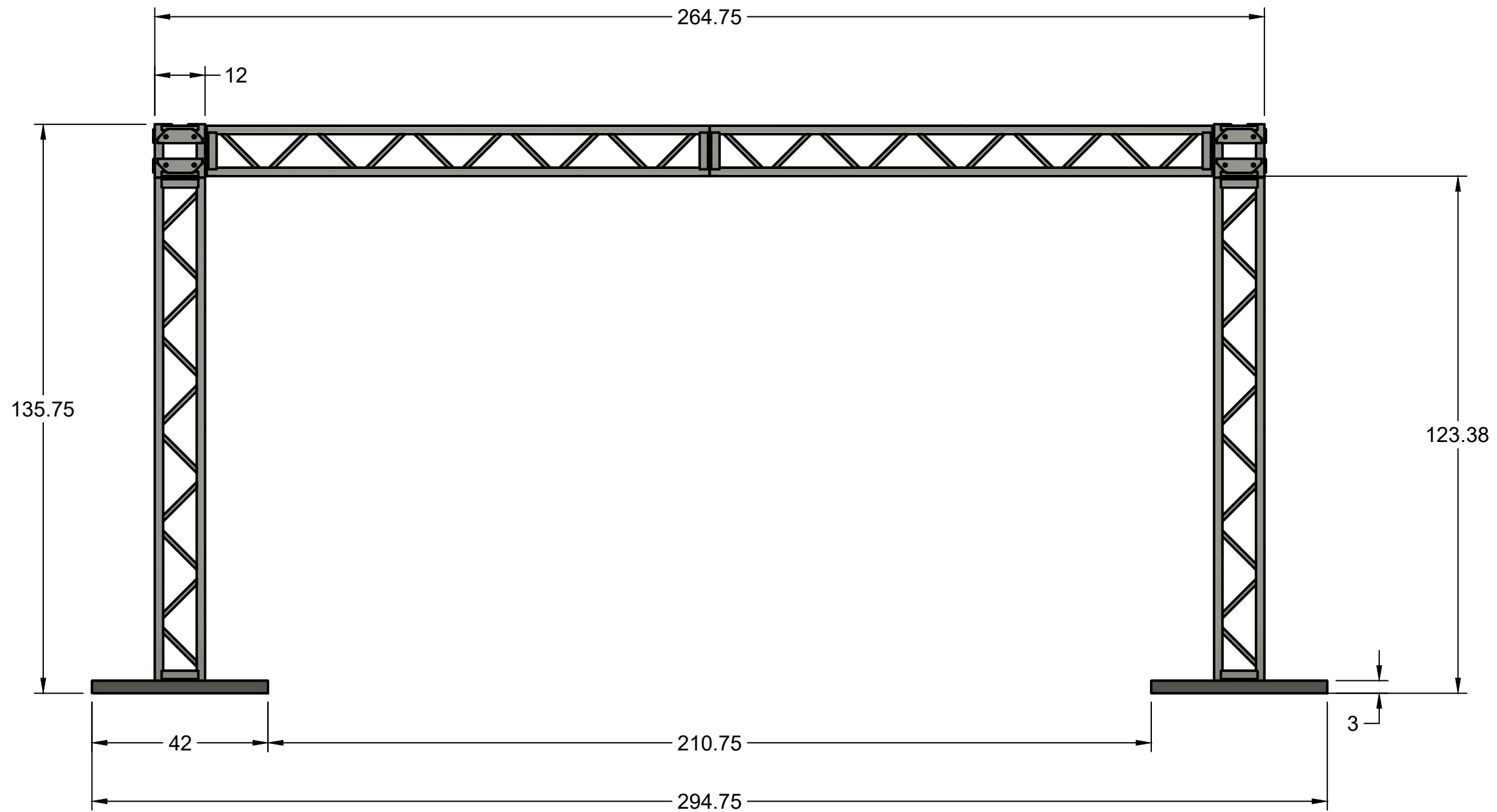
PARTS LIST	
10' Section	3
Base Plate	2
Corner Cube	2
Nuts/Bolts	24
Outrigger	2

		PROJECT			
		TITLE <b>10' Basic Truss Structure</b>			
APPROVED	SIZE	CODE	DWG NO		REV
CHECKED	B				
DRAWN Andrew Sbertoli 8/13/2024		SCALE 1:25		WEIGHT	SHEET 1/1



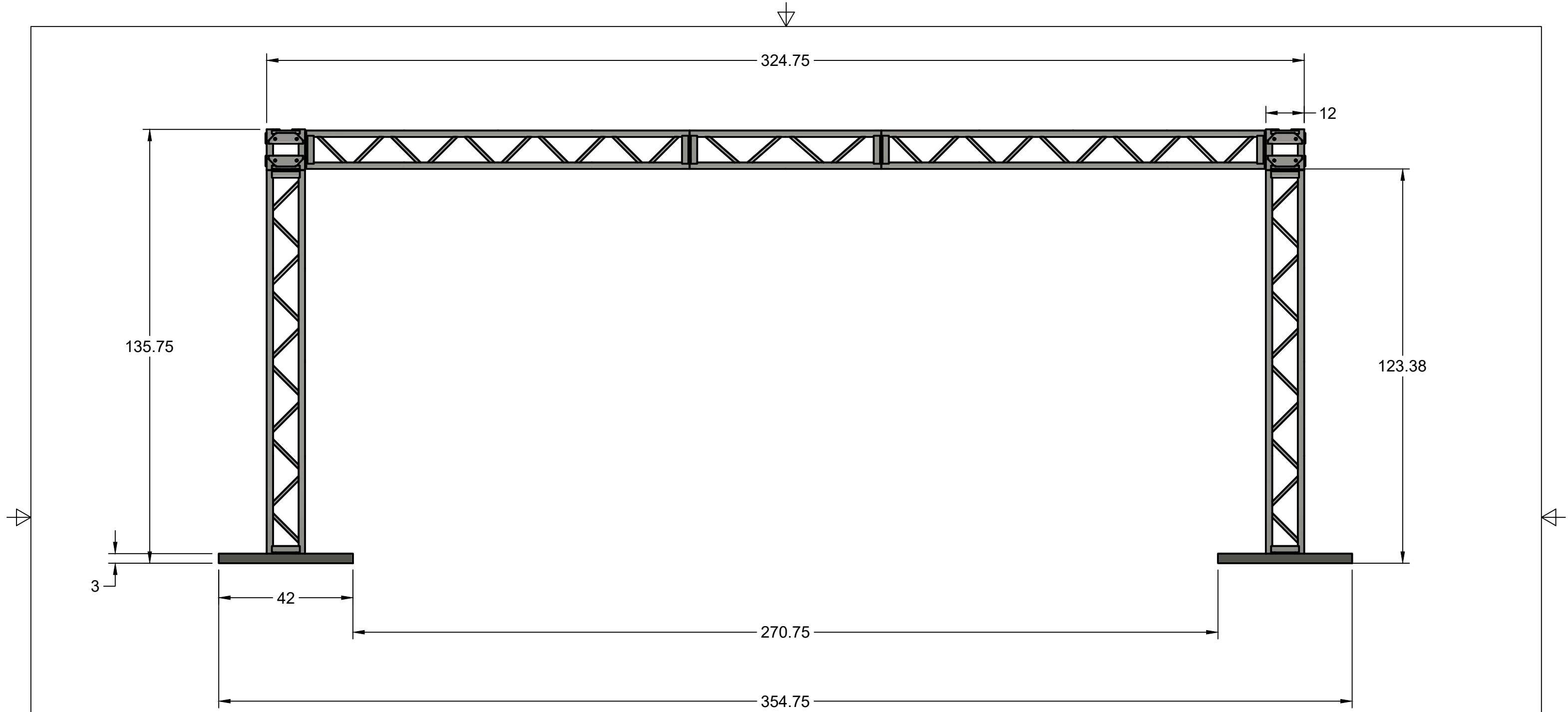
Parts List	
10' Section	3
5' Section	1
Corner Cube	2
Base Plate	2
Outrigger	2
Nuts/Bolts	28

		PROJECT			
		TITLE <b>15' Basic Truss Structure</b>			
APPROVED	SIZE	CODE	DWG NO	REV	
CHECKED	B				
DRAWN Andrew Sbertoli 8/13/2024	SCALE 1:50	WEIGHT	SHEET 1/1		



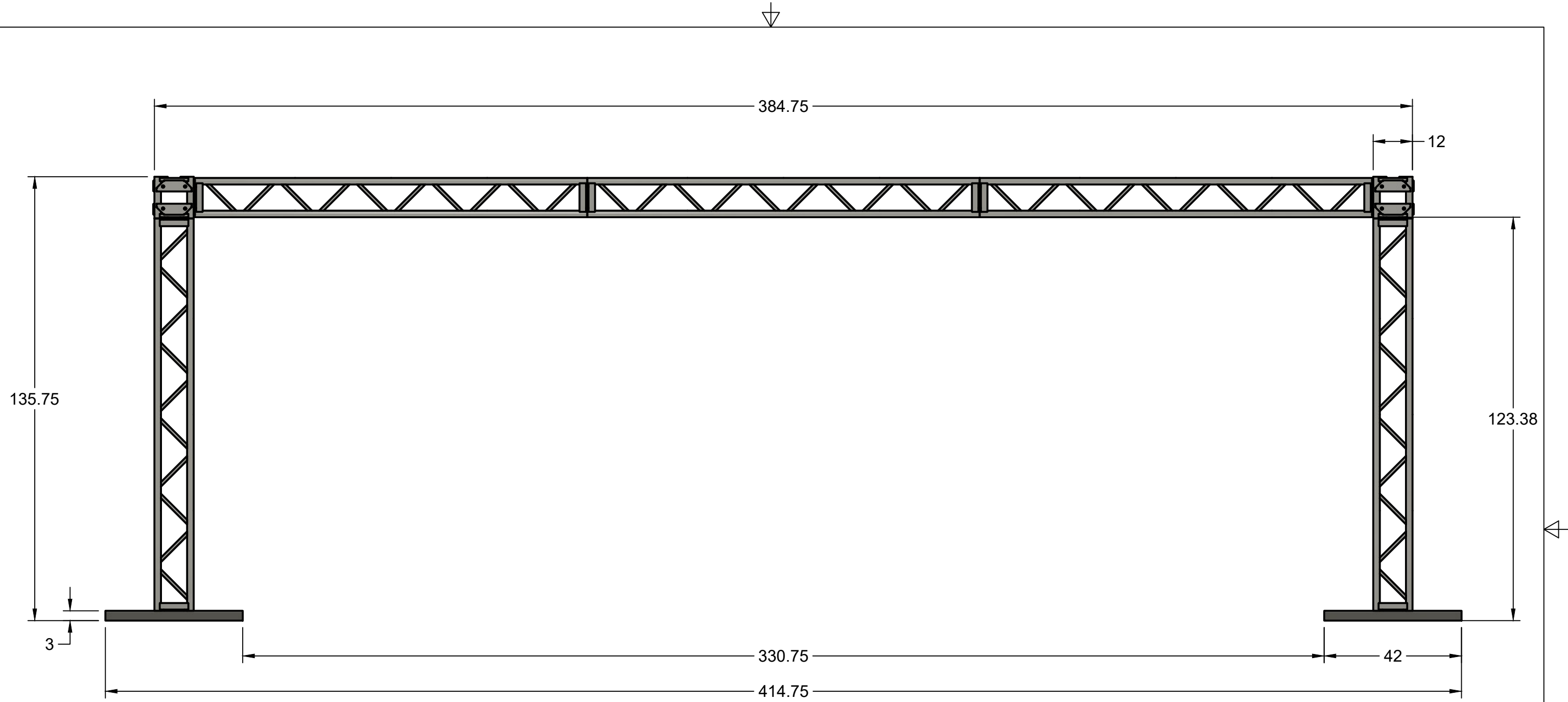
PARTS LIST	
10' Section	4
Base Plate	2
Corner Cube	2
Outrigger	2
Nuts/Bolts	28

		PROJECT			
		TITLE <b>20' Basic Truss Structure</b>			
APPROVED	SIZE	CODE	DWG NO	REV	
CHECKED	B				
DRAWN Andrew Sbertoli 8/13/2024	SCALE 1:30	WEIGHT	SHEET 1/1		



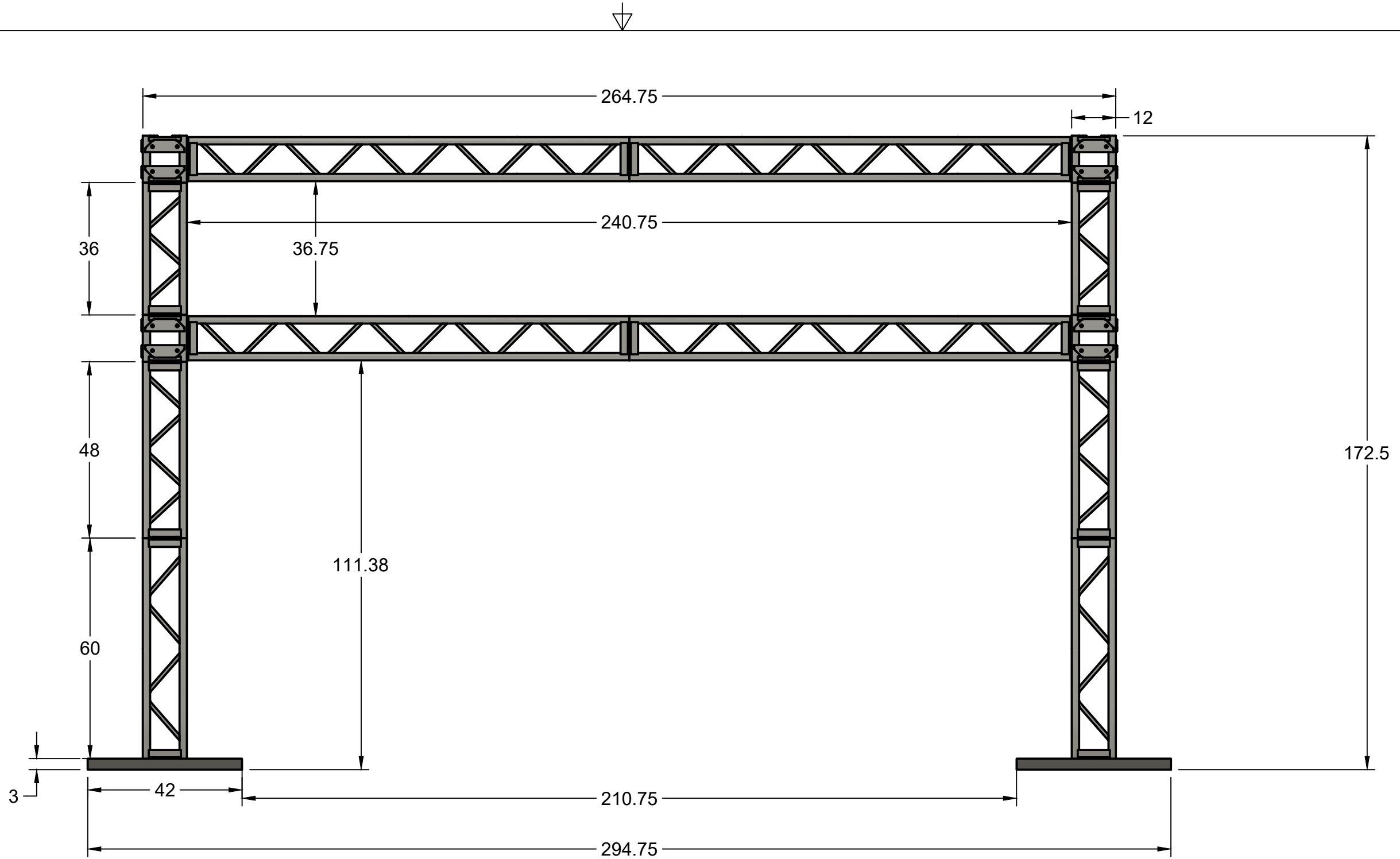
PARTS LIST	
10' Section	4
5 Section	1
Corner Cube	2
Base Plate	2
Nuts/Bolts	32
Outrigger	4

	PROJECT			
	TITLE <b>25' Basic Truss Structure</b>			
APPROVED	SIZE	CODE	DWG NO	REV
CHECKED	B			
DRAWN	Andrew Sbertoli	8/13/2024	SCALE 1:30	WEIGHT
				SHEET 1/1



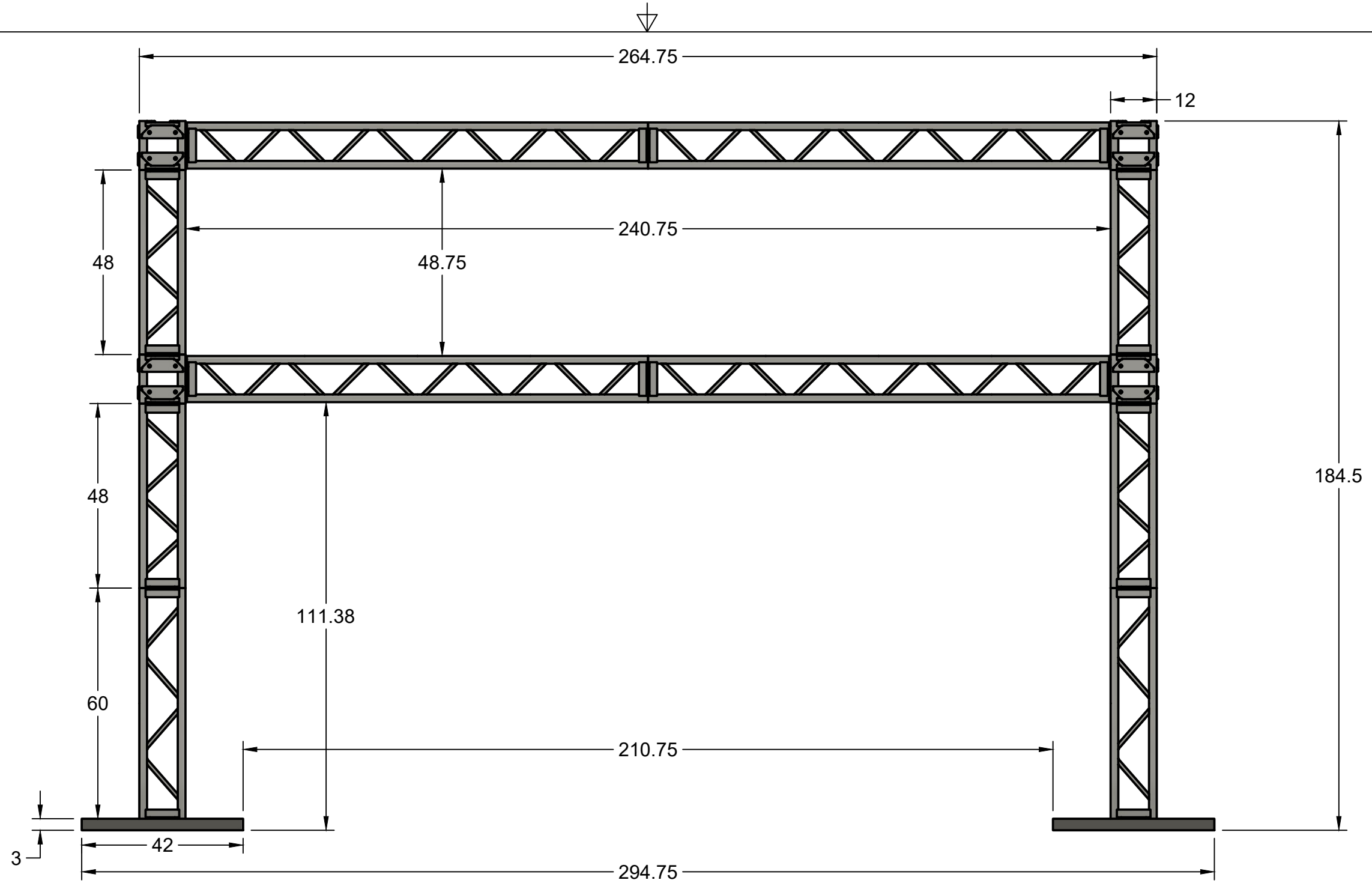
PARTS LIST	
10' Section	5
Corner Cube	2
Base Plate	2
Outrigger	4
Nts/Bolts	32

		PROJECT		
		TITLE <b>30' Basic Truss Structure</b>		
APPROVED	SIZE	CODE	DWG NO	REV
CHECKED	B			
DRAWN	Andrew Sbertoli	8/13/2024	SCALE 1:30	WEIGHT
			SHEET 1/1	



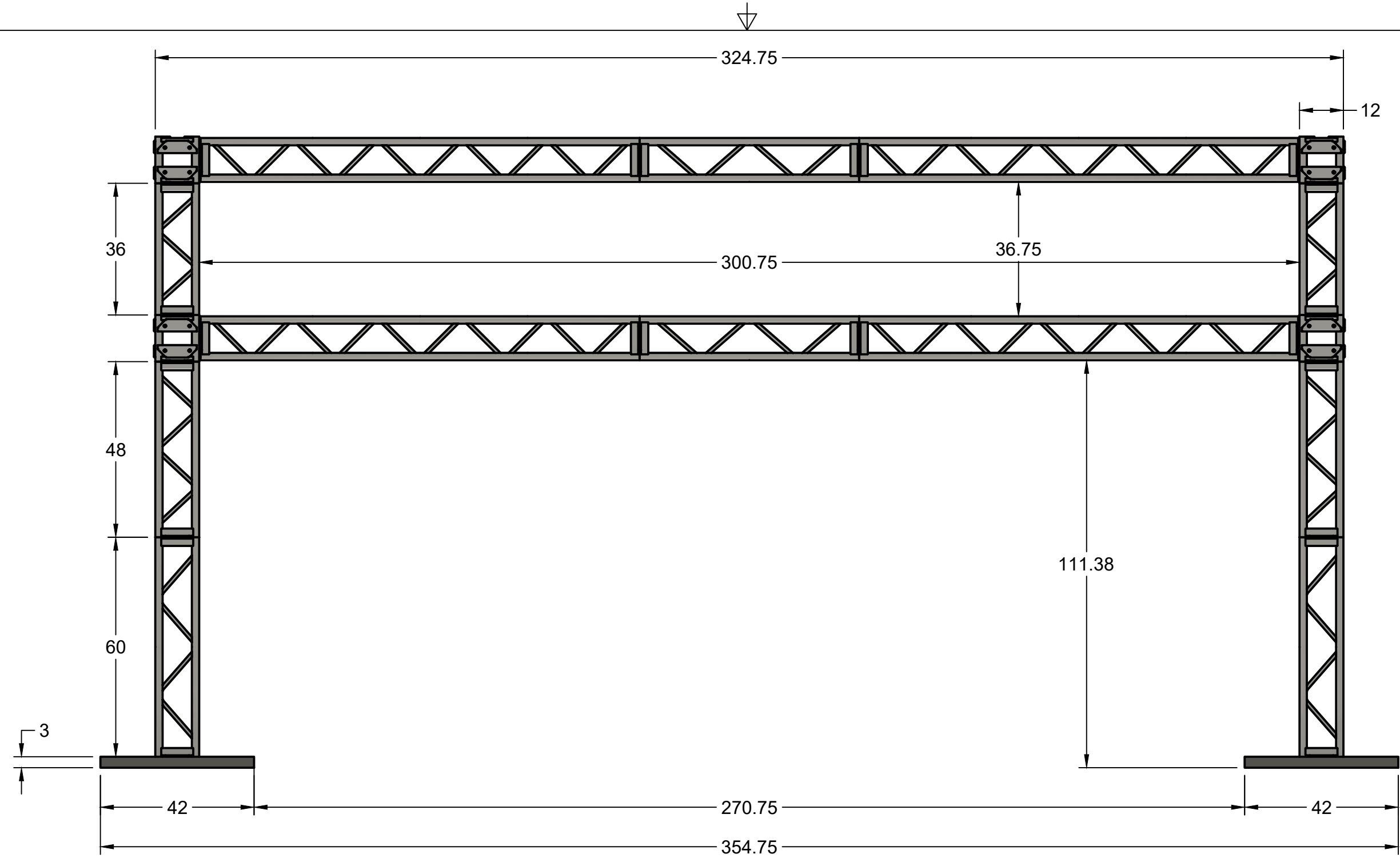
PARTS LIST	
10' Section	4
5' Section	2
4' Section	2
3' Section	2
Corner Cube	4
Nuts/Bolts	64
Base Plate	2
Outrogger	4

		PROJECT		
		TITLE <b>20' Truss Structure Double Horizontal</b>		
APPROVED	SIZE	CODE	DWG NO	REV
CHECKED	B			
DRAWN	Andrew Sbertoli	8/21/2024	SCALE 1:30	WEIGHT
			SHEET 1/1	



PART LIST	
10' Section	4
5' Section	2
4' Section	4
Coner Cube	4
Nuts/Bolts	64
Outrigger	4
Base Plate	2

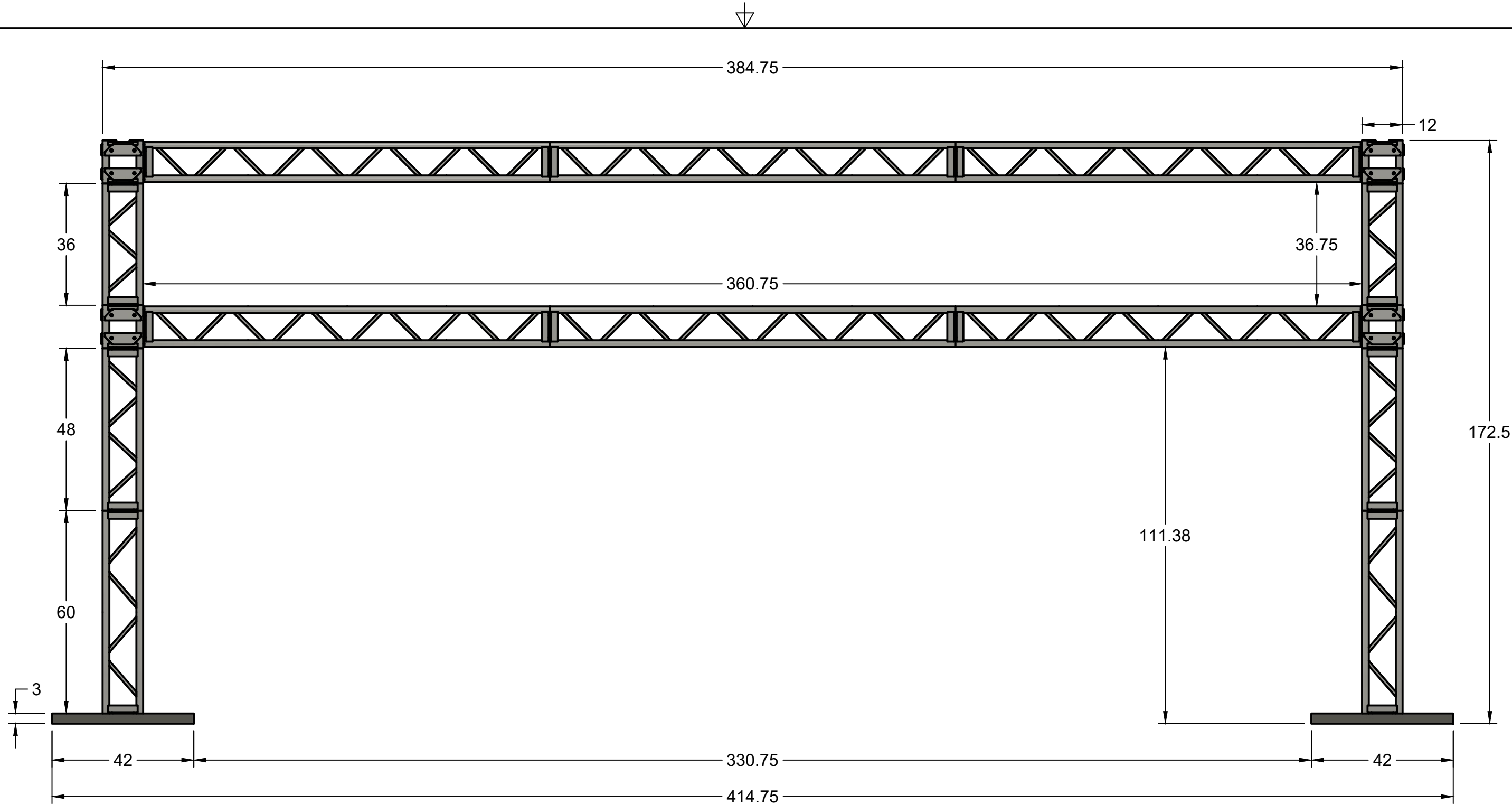
		PROJECT			
		TITLE <b>20' Truss Structure Double Horizontal 4' Top</b>			
APPROVED	SIZE	CODE	DWG NO	REV	
CHECKED	B				
DRAWN Andrew Sbertoli 8/21/2024	SCALE 1:30	WEIGHT	SHEET 1/1		



PART LIST	
10' Section	4
5' Section	4
4' Section	4
Coner Cube	4
Nuts/Bolts	72
Outrigger	4
Base Plate	2

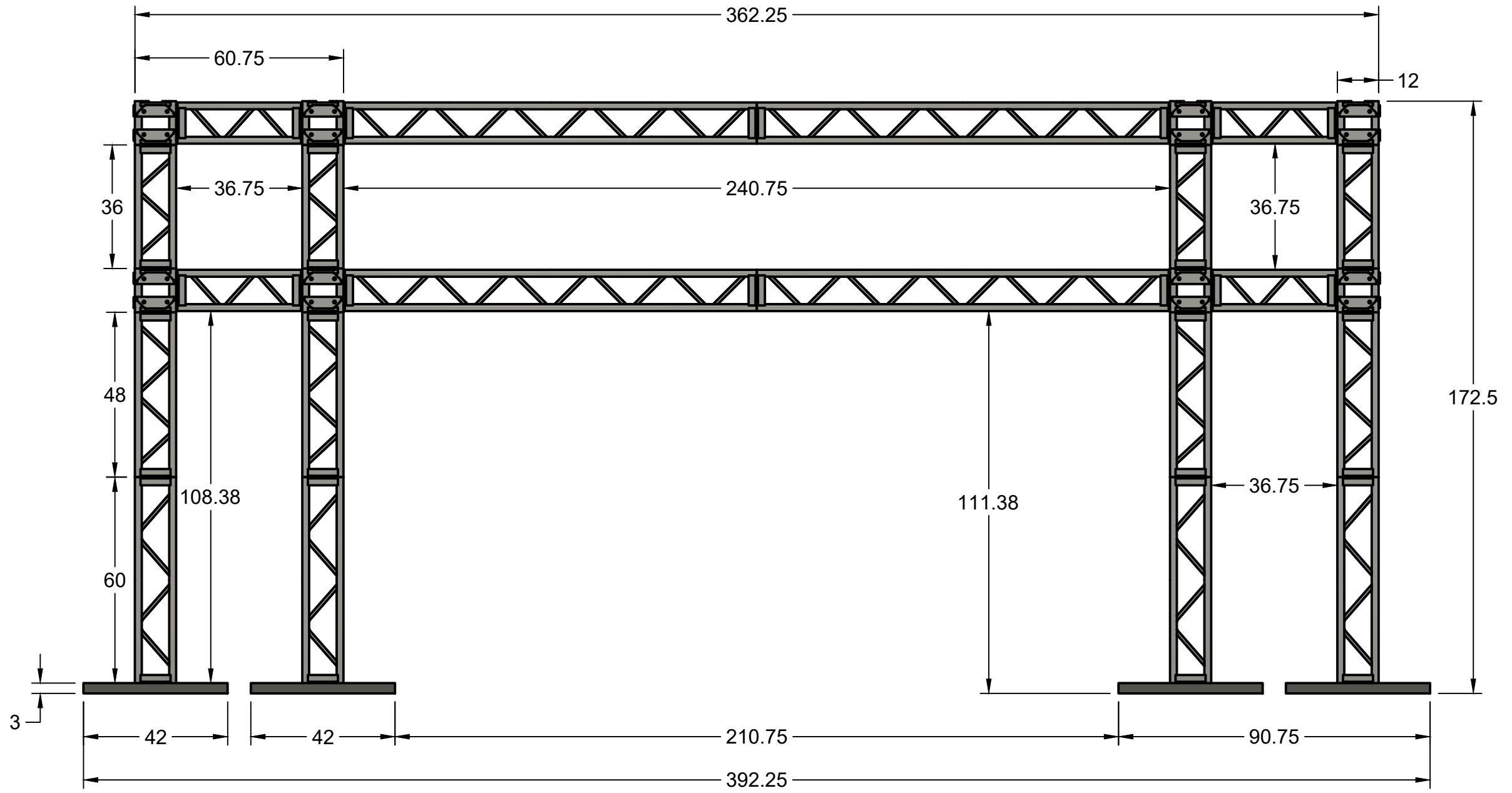
		PROJECT		
		TITLE <b>25' Truss Structure Double Horizontal</b>		
APPROVED	SIZE	CODE	DWG NO	REV
CHECKED	B			
DRAWN Andrew Sbertoli 8/21/2024	SCALE 1:30	WEIGHT	SHEET 1/1	





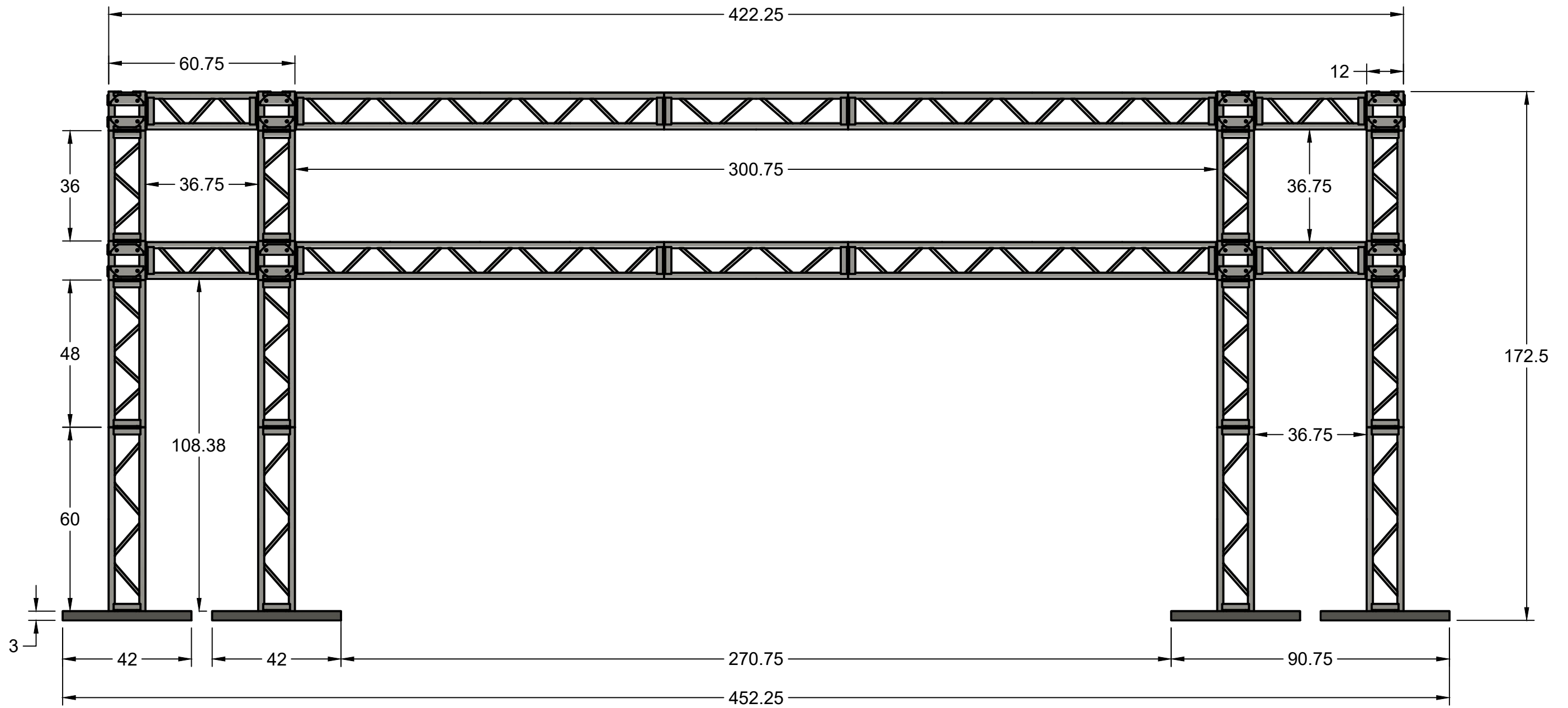
PART LIST	
10' Section	6
5' Section	2
4' Section	4
Coner Cube	4
Nuts/Bolts	72
Outrigger	4
Base Plate	2

		PROJECT			
		TITLE <b>30' Truss Structure Double Horizontal</b>			
APPROVED	SIZE	CODE	DWG NO	REV	
CHECKED	B				
DRAWN	Andrew Sbertoli	8/21/2024	SCALE 1:30	WEIGHT	
			SHEET	1/1	



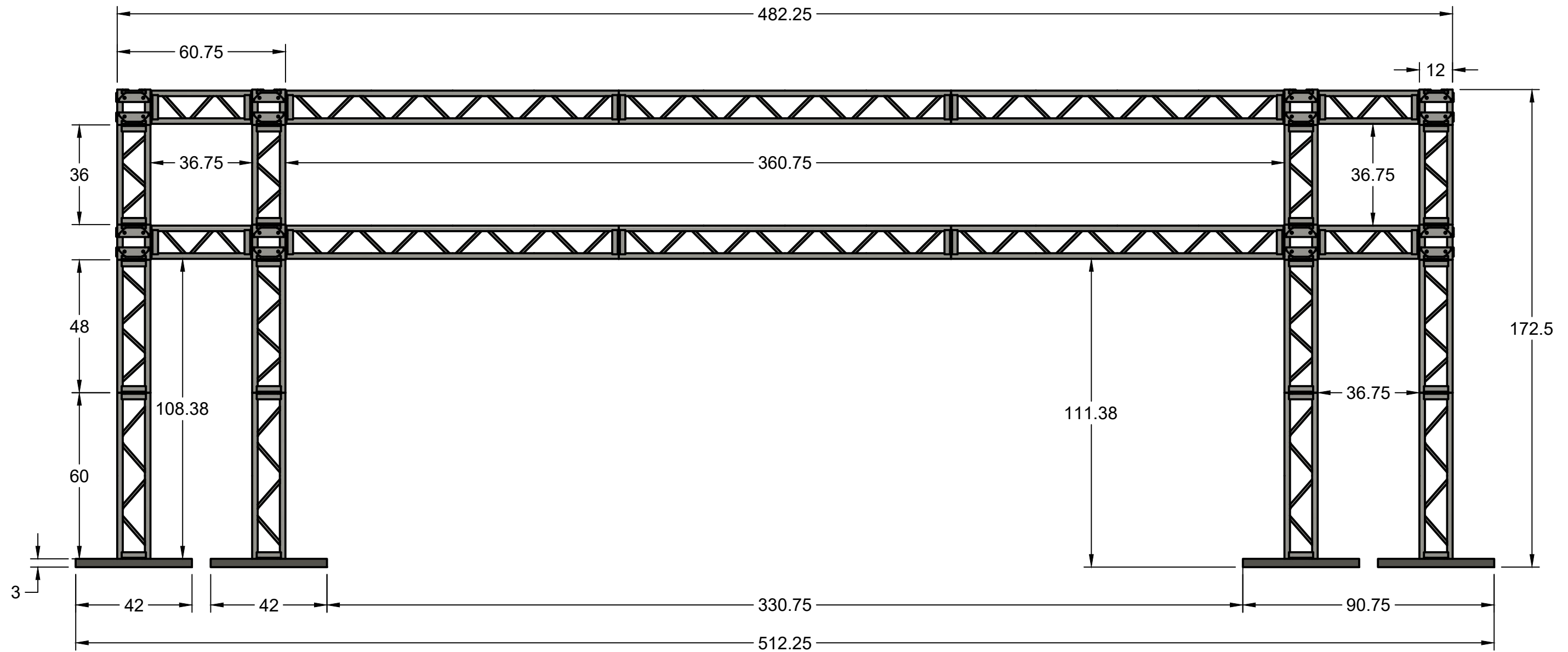
PART LIST	
10' Section	4
5' Section	4
4' Section	4
3' Section	6
Corner Cube	8
Base Plate	4
Outrigger	8
Nuts/Bolt	136

APPROVED		PROJECT		
		TITLE		
CHECKED		20' Truss Structure Double Horizontal/Vertical		
		REV		
DRAWN Andrew Sbertoli 8/21/2024		SIZE B	CODE	DWG NO
		SCALE 1:35	WEIGHT	SHEET 1/1



PART LIST	
10' Section	4
5' Section	6
4' Section	4
3' Section	6
Corner Cube	8
Base Plate	4
Outrigger	8
Nuts/Bolt	144

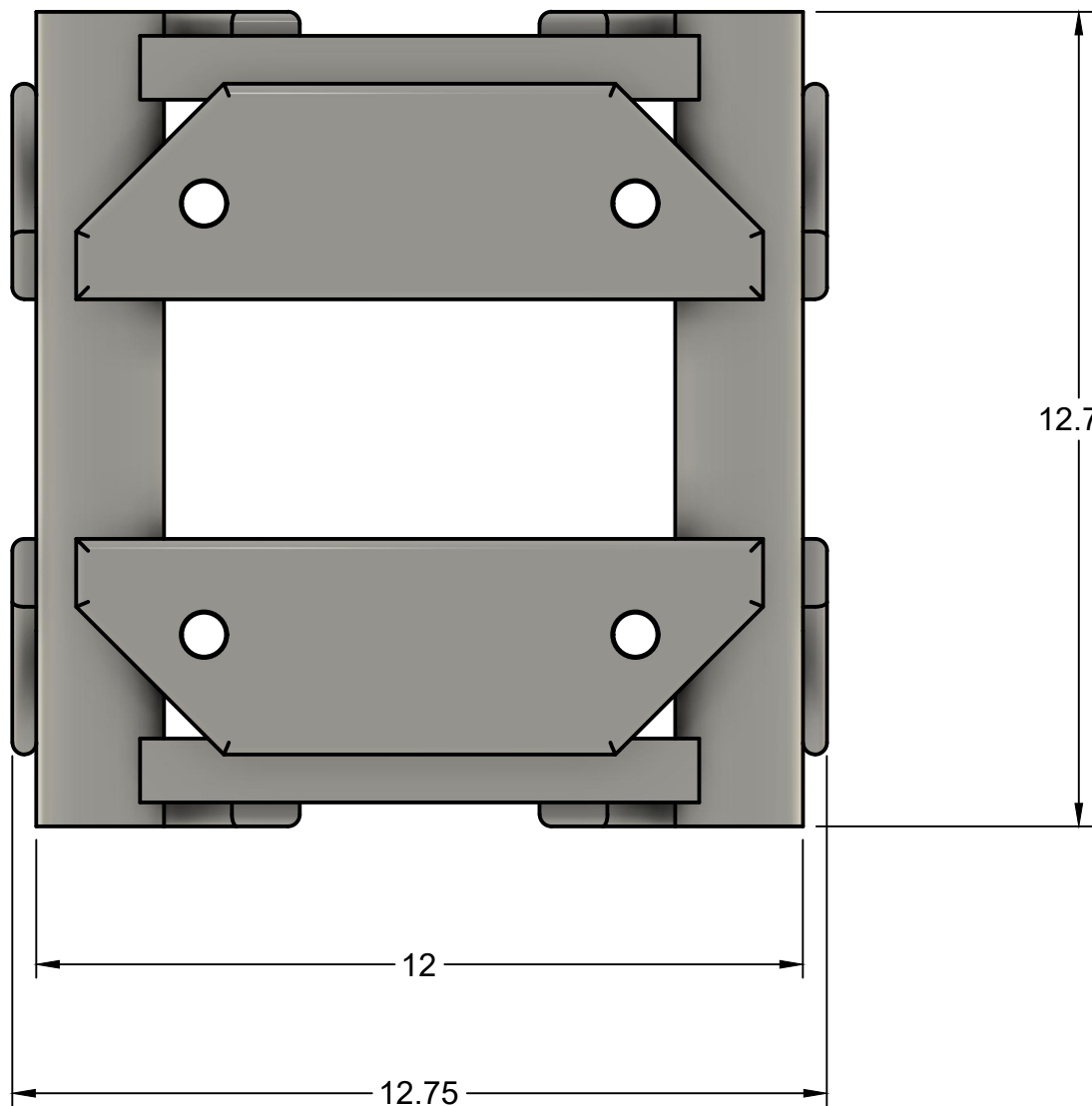
		PROJECT		
		TITLE <b>25' Truss Structure Double Horizontal/Double Vertical</b>		
APPROVED	SIZE	CODE	DWG NO	REV
CHECKED	B			
DRAWN	Andrew Sbertoli	8/21/2024	SCALE 1:35	WEIGHT
			SHEET 1/1	



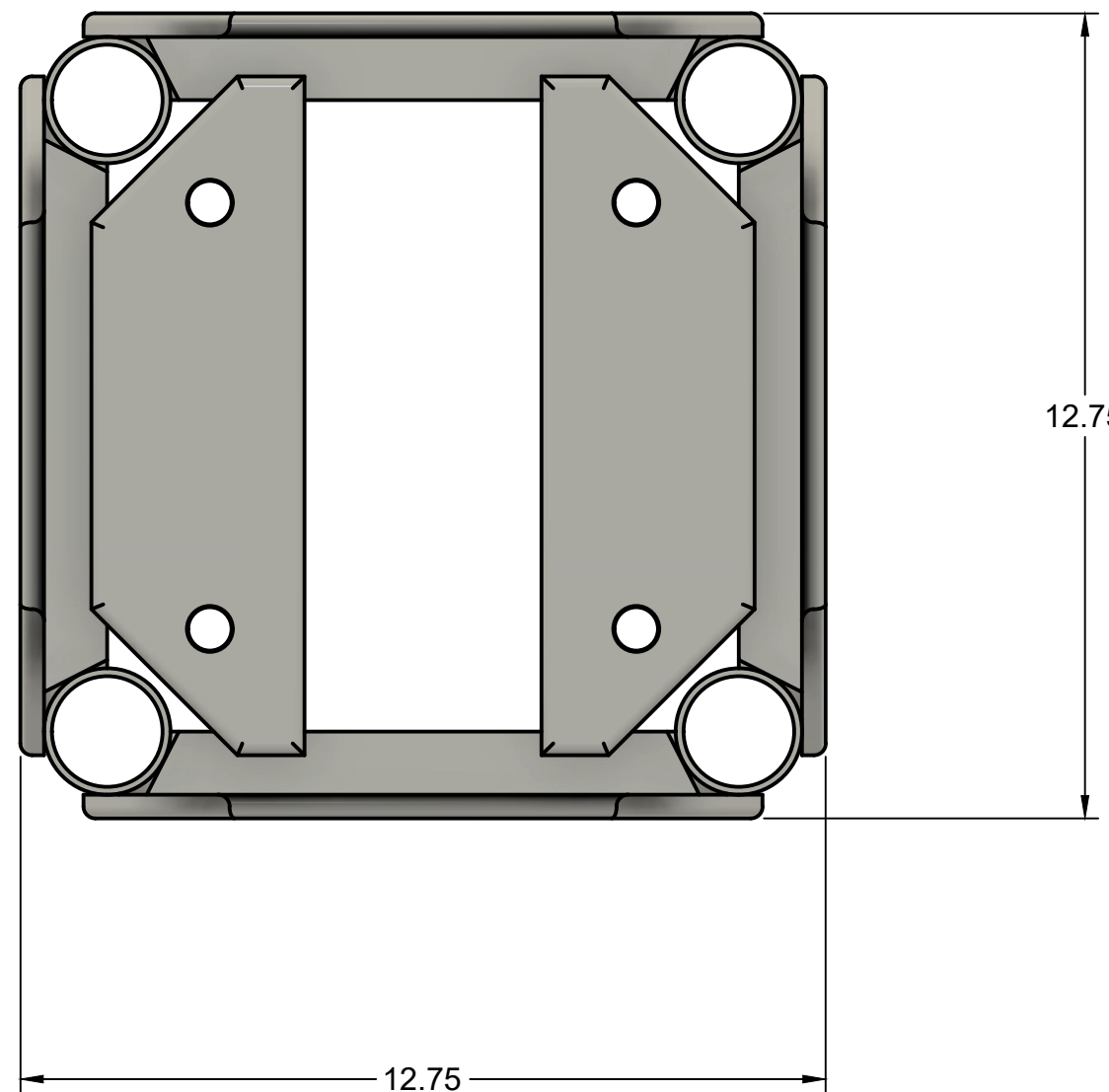
PART LIST	
10' Section	6
5' Section	4
4' Section	4
3' Section	6
Corner Cube	8
Base Plate	4
Outrigger	8
Nuts/Bolt	144

	PROJECT			
	TITLE <b>30' Truss Structure Double Horizontal Double Vertical</b>			
APPROVED	SIZE	CODE	DWG NO	REV
CHECKED	B			
DRAWN	Andrew Sbertoli	8/21/2024	SCALE 1:38	WEIGHT
				SHEET 1/1

FRONT VIEW



TOP VIEW



PROJECT

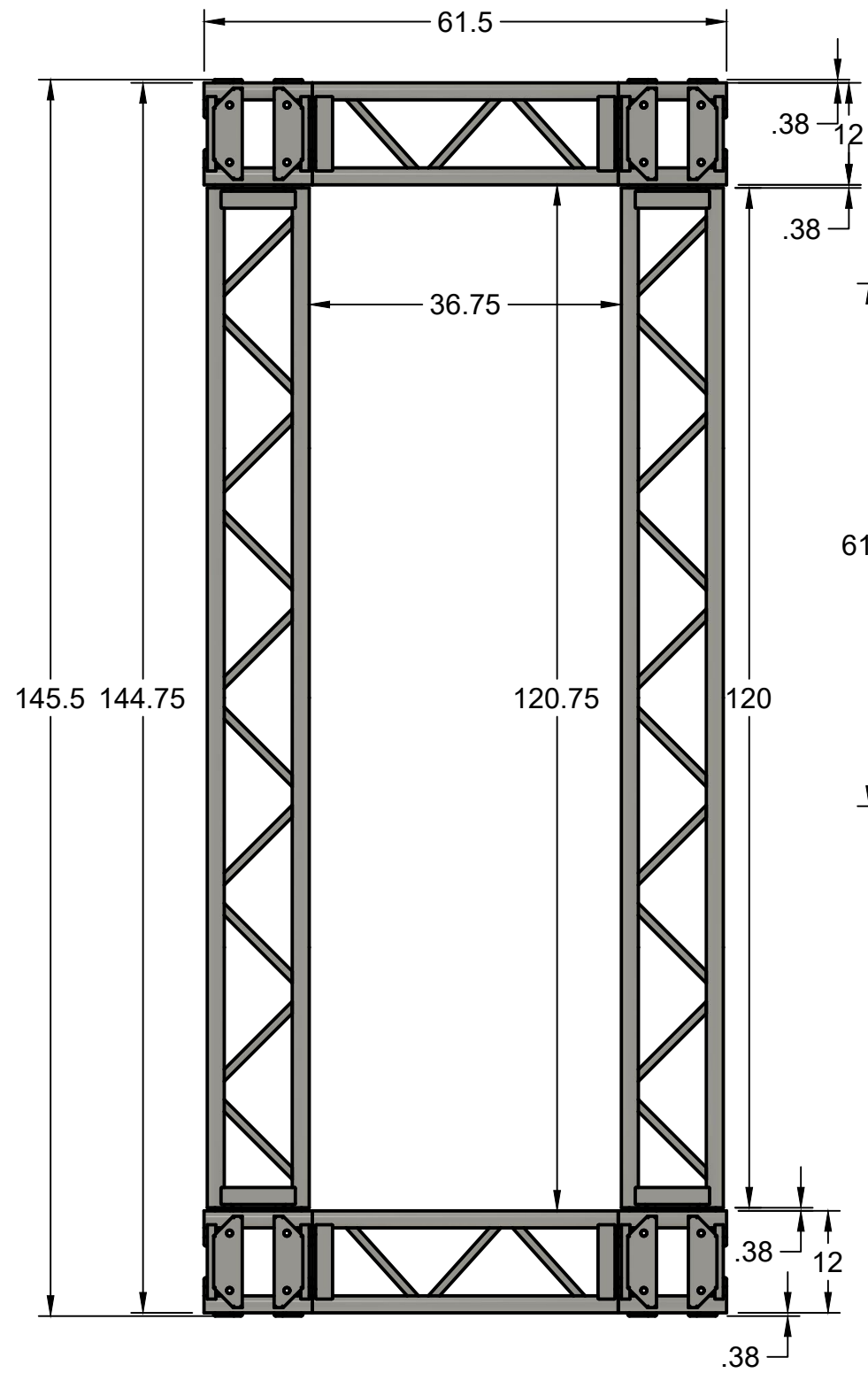
**Truss Dimensions**

TITLE

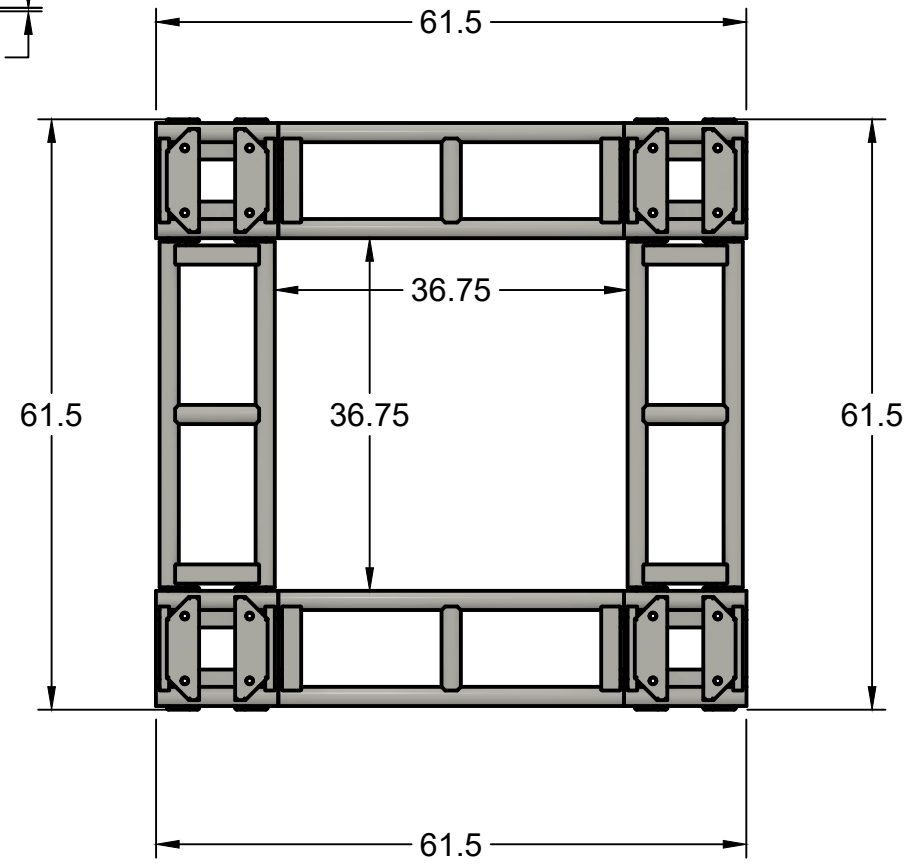
**Cube**

APPROVED	SIZE	CODE	DWG NO	REV
CHECKED	B			
DRAWN Andrew Sbertoli 6/27/2024	SCALE 1:3	WEIGHT	SHEET 1/1	

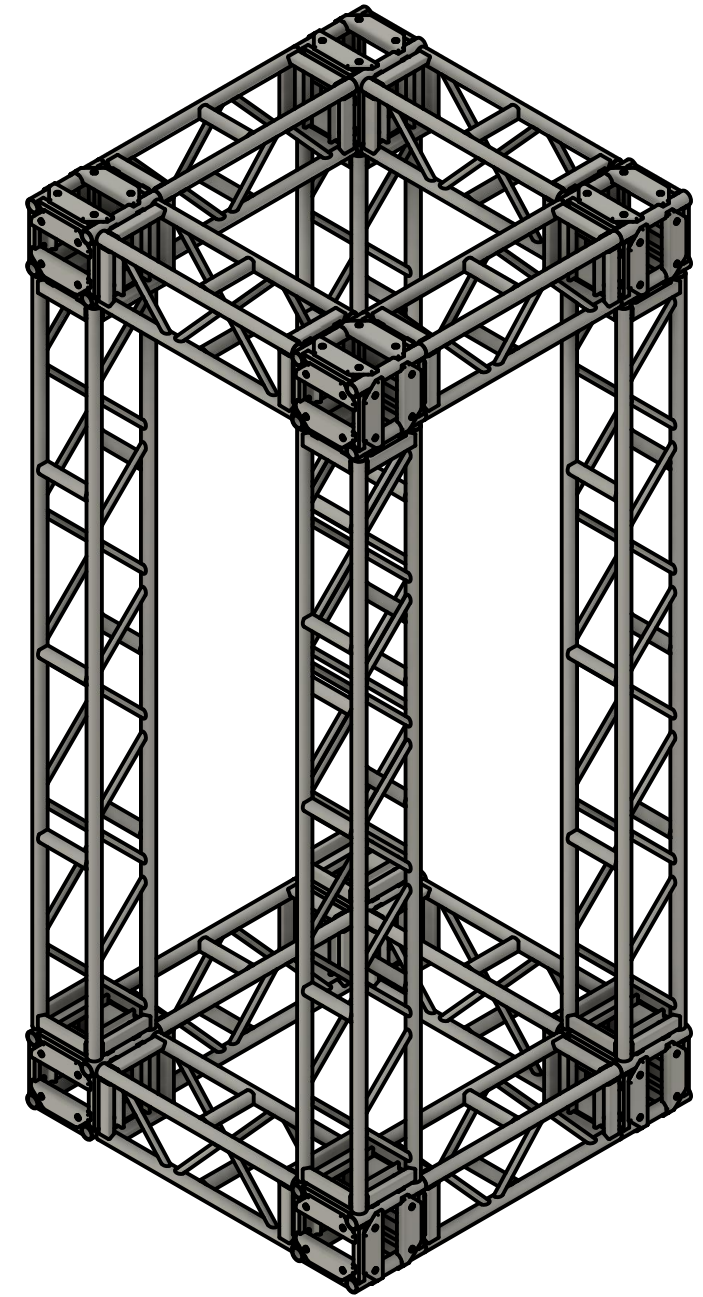
SIDE VIEW



TOP VIEW



ISOMETRIC VIEW



PROJECT

5' x 12' Truss Cube Tower

TITLE

Truss Tower

APPROVED

SIZE

CODE

DWG NO

REV

CHECKED

B

DRAWN

Andrew Sbertoli 7/1/2024

SCALE 1:20

WEIGHT

SHEET 1/1